



# DNH

HEAD OFFICE, NORWAY

**DNH AS**

Phone..... + 47 35 98 56 00

Fax..... + 47 35 98 56 10

E-mail..... dnh@dnh.no

Web-Site..... www.dnh.no

ENGLAND

**DNH WW Ltd**

Phone..... + 44 1908 275 000

Fax..... + 44 1908 275 100

E-mail..... dnh@dnh.co.uk

GERMANY

**DNH GmbH**

Phone... + 49 040 6569 30-0

Fax..... + 49 040 6569 30-30

E-mail..... dnh@dnh.de

## HSS-15(T)

USA

**DNH Speakers Inc**

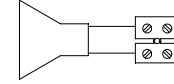
Phone..... + 1 484 494 5790

Fax..... + 1 484 494 5793

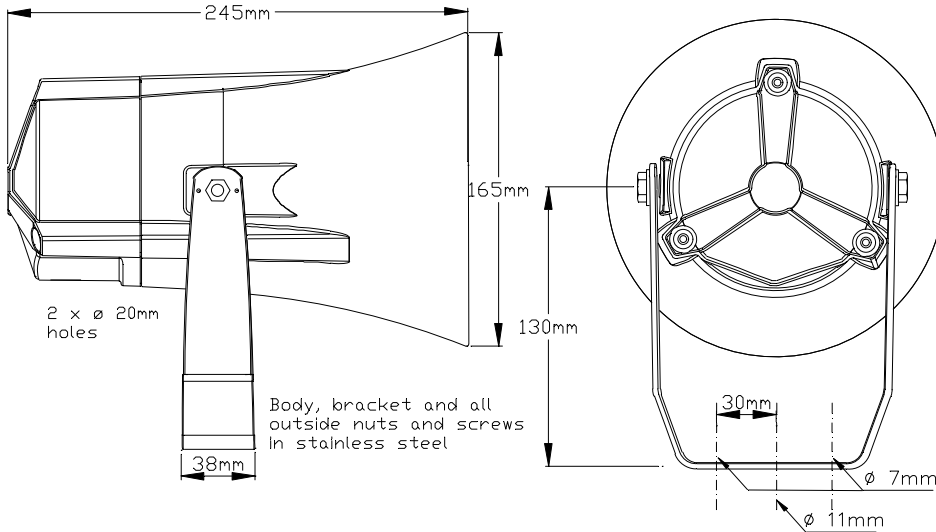
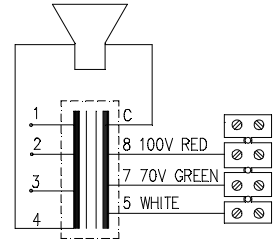
E-mail..... dnh@dnhspeakers.com

ISO 9001 CERTIFIED

CIRCUIT DIAGRAM  
Ohm



CIRCUIT DIAGRAM  
TRANSFORMER



70/100 volt combined transformer  
Primary connections

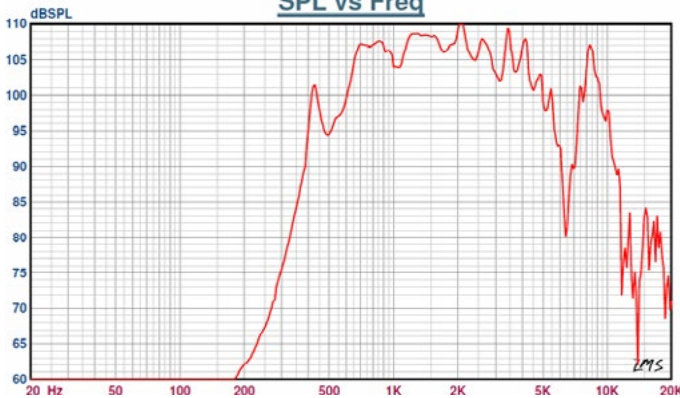
White : Green 70 V  
White : Red 100 V

Secondary nominal tapings

C : 1 15,0 W  
C : 2 7,5 W  
C : 3 4,0 W  
C : 4 2,0 W

Sound pressure levels at 1W/1m RAV-67

SPL vs Freq



### Specifications

Material / Color	Stainless steel 316
Mounting	U Bracket
Termination	Inside screw terminals
Weight w/transformer	6,5 kg
IP-rating	67
Max. / min. amb. temp	180°C / -55°C
Rated / max. power	15 W / 20 W
SPL 1W/1m	107 dB
SPL rated power	118 dB
Effective freq. range	380 – 90000 Hz
Options	Impedances, colors, labels

### Installation, Operation and Maintenance Procedures

- Fasten the bracket to wall/ceiling with three screws.
- Remove lid by three screws. Lead cable through cable gland (not provided) and connect to terminal 70V or 100V.
- Select power in the transformer as required.
- Screw lid back into place, three screws with a torque of 2 Nm to assure the IP rating.
- To change the position of the loudspeaker, please adjust the bracket (by loosening / tightening the screws) as required.
- For optimum performance, always use the correct voltage / power and operate within the frequency limits as stated.
- Do not open loudspeaker when energized.
- This loudspeaker is supplied with a two years warranty against defective workmanship.

DNH reserves the right to alter specifications without notice

